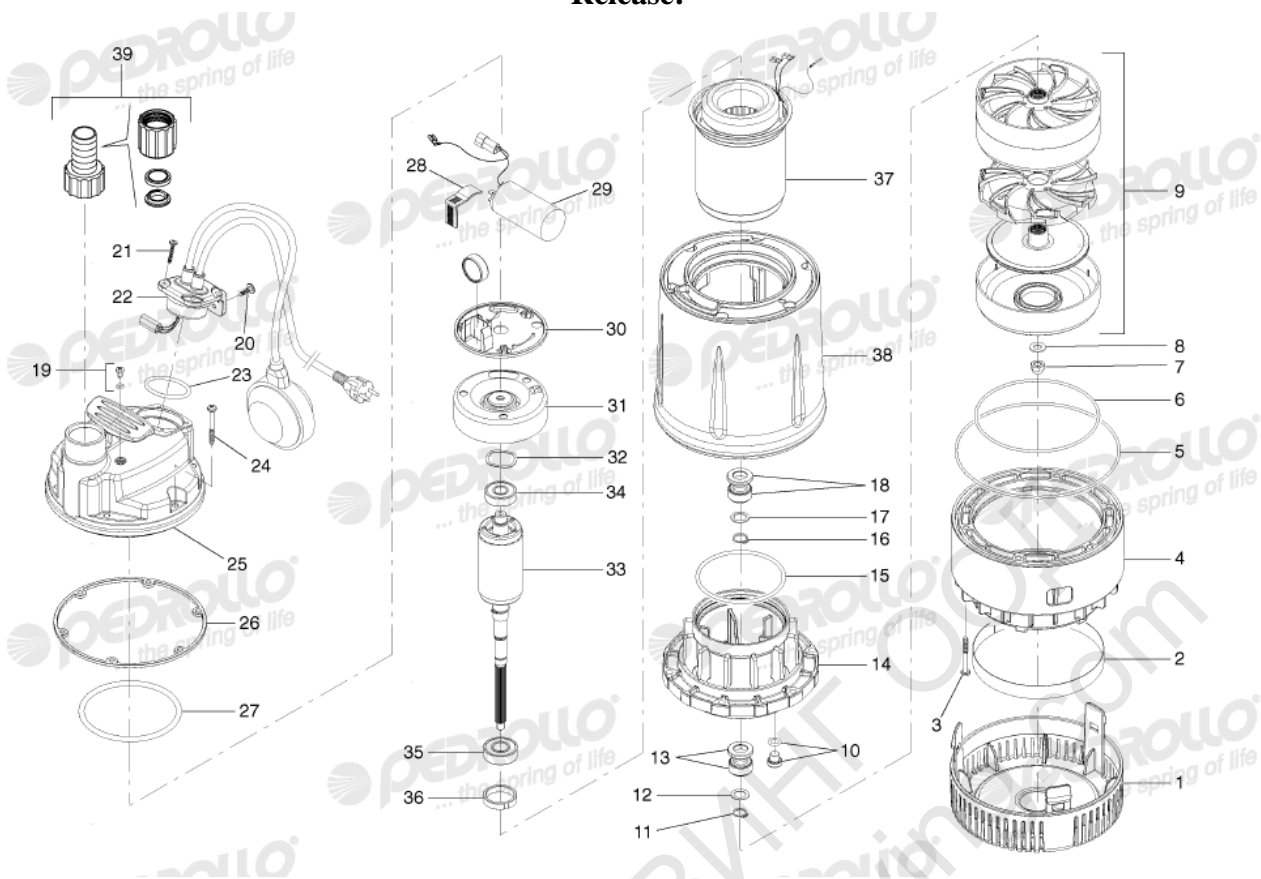


Release: -



Release: - 00.37.08

50Hz

TOP MULTI II

TАШЕВ-Г АЛВИНТ.COM
www.tashev-galvin.com

Release: -

POSITION	CODE	QUANTITY	DESCRIPTION
0001	161DGH2OMV7	1	Suction strainer
0002	159FTM05	1	Filter
0003	1160856	6	Screw
0004	161DGH2OM2	1	Pump bearing
0005	11514201468	1	O-Ring
0006	11514201477	1	O-Ring
0007	116910A	1	Nut
0008	114701	1	Washer
0009	ASSGRTPM05	1	Impeller + diffuser + bowl
0010	119025V7A	1	Plug with O-Ring
0011	114600	1	Circlip Ø 12 mm
0012	114700P	1	Washer
0013	11516101248	1	Mechanical seal Ø 12 mm
0014	161DH2OMV7	1	Vane diffuser
0015	11514201589	1	O-Ring
0016	114603	1	Circlip Ø 13 mm
0017	114700TM	1	Washer
0018	11516101313	1	Mechanical seal Ø 13 mm
0019	1160850A	1	Screw with O-Ring
0020	1160851	1	Screw
0021	1160815	4	Screw
0022	ASS119981M	1	Cable grommet complete of supply cable and float switch
0023	11514201574	1	O-Ring
0024	1160856	6	Screw
0025	157CH2M03V7	1	Discharge head
0026	11506197	1	Gasket
0027	11514201567	1	O-Ring
0028	1175145	1	Capacitor band
0029	111012FC	1	Capacitor 12,5 µ F
0030	118074	1	Capacitor holder
0031	159H2OPCT2	1	Motor cover
0032	114000	1	Compensation spring
0033	RFC06A07	1	Shaft with rotor
0034	113001	1	Ball bearing
0035	113012	1	Ball bearing
0036	161CTOPM1V7	1	Spacer
0037	PCA06CN6A1	1	Motor casing with windings (230V - 50 Hz)
0038	157CH2M04V7	1	Pump body
0039	ASRTPMULTIV8	1	Kit hose joint with valve

Release: - 00.37.08

50Hz

TOP MULTI II